

VZ

V1000

More performance & Quality in less space

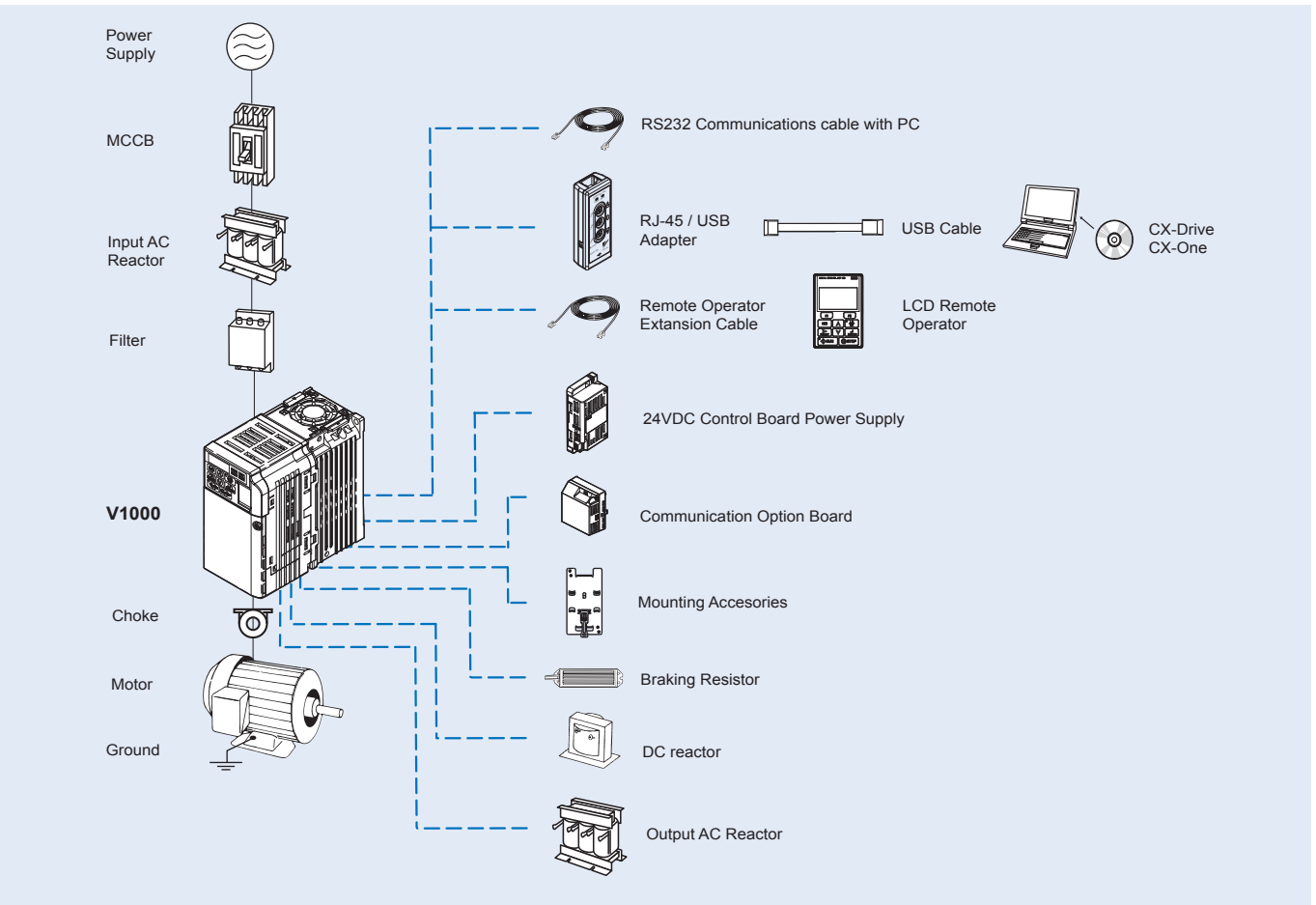
- Current vector control
- High starting torque (200% / 0.5 Hz)
- 1:100 speed control range
- Double rating ND 120%/1min and HD 150%/1 min
- IM&PM motor control
- Online Tuning
- Low-noise Low carrier technology
- 10 years lifetime design
- Built-in filter
- Screw-less terminals
- Control Terminals with memory backup
- Fieldbus communications: Modbus, Profibus, CANopen, DeviceNet, LONworks, CompoNet, Ethernet, ML-II, PROFINET and EtherCAT
- Safety embedded: EN954-1 safety cat. 3, EN6158 SIL II and EN60204-1 Stop category 0
- CE, UL, cUL and TUV

Ratings

- 200 V Class single-phase 0.1 to 4 kW
- 200 V Class three-phase 0.1 to 15 kW
- 400 V Class three-phase 0.2 to 15 kW

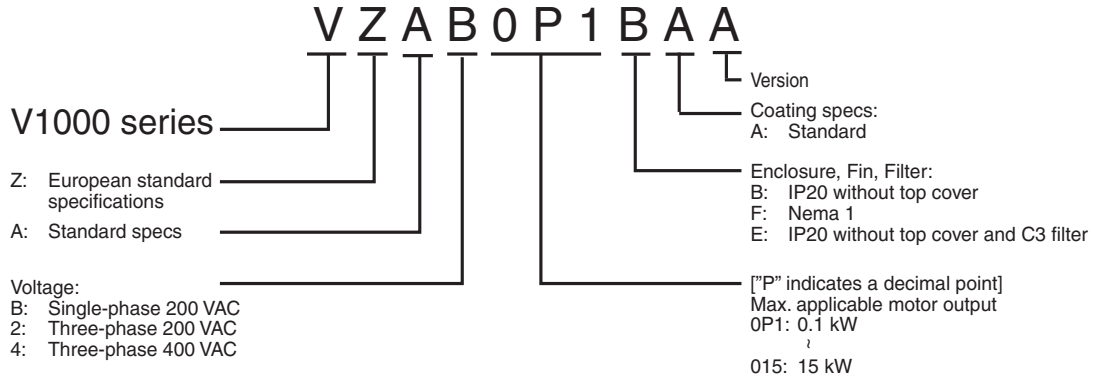


System configuration



Specifications

Type designation



200 V class

Single-phase: VZA□		B0P1	B0P2	B0P4	B0P7	B1P5	B2P2	B4P0 ¹	-	-	-	-
Three-phase: VZA□		20P1	20P2	20P4	20P7	21P5	22P2	24P0	25P5	27P5	2011	2015
Motor kW ²	For HD setting	0.12	0.25	0.4	1.1	1.5	2.2	4.0	5.5	7.5	11	15
	For ND setting	0.18	0.37	0.55	1.1	2.2	3.0	5.5 ¹	7.5	11	15	18.5
Output characteristics	Drive capacity kVA	0.3	0.6	1.1	1.9	3.0	4.2	6.7	9.5	13	18	23
	Rated output current (A) at HD	0.8	1.6	3.0	5.0	8.0	11.0	17.5	25.0	33.0	47.0	60.0
	Rated output current (A) at ND	1.2	1.9	3.5	6.0	9.6	12.0	19.6	30.0	40.0	56.0	69.0
	Max. output voltage	Proportional to input voltage: 0..240 V										
	Max. output frequency	400 Hz										
Power supply	Rated input voltage and frequency	Single-phase 200..240 V 50/60 Hz 3-phase 200..240 V 50/60 Hz										
	Allowable voltage fluctuation	-15%..+10%										
	Allowable frequency fluctuation	+5%										

1. Only HD settings is available for this model
2. Based on a standard 4-pole motor for maximum applicable motor output:
 Heavy Duty (HD) mode with a 150% overload capacity
 Normal Duty (ND) mode with a 120% overload capacity

400 V class

Three-phase: VZA□		40P2	40P4	40P7	41P5	42P2	43P0	44P0	45P5	47P5	4011	4015
Motor kW ¹	For HD setting	0.37	0.55	1.10	1.5	2.2	3.0	4.0	5.5	7.5	11	15
	For ND setting	0.37	0.75	1.5	2.2	3.0	4.0	5.5	7.5	11	15	18.5
Output characteristics	Drive capacity kVA	0.9	1.4	2.6	3.7	4.2	5.5	7.2	9.2	14.8	18	24
	Rated output current (A) at HD	1.2	1.8	3.4	4.8	5.5	7.2	9.2	14.8	18.0	24	31
	Rated output current (A) at ND	1.2	2.1	4.1	5.4	6.9	8.8	11.1	17.5	23	31	38
	Max. output voltage	0..480 V (proportional to input voltage)										
	Max. output frequency	400 Hz										
Power supply	Rated input voltage and frequency	3-phase 380..480 VAC, 50/60 Hz										
	Allowable voltage fluctuation	-15%..+10%										
	Allowable frequency fluctuation	+5%										

1. Based on a standard 4-pole motor for maximum applicable motor output:
 Heavy Duty (HD) mode with a 150% overload capacity
 Normal Duty (ND) mode with a 120% overload capacity

Specifications

Common specifications

Model number VZA□		Specifications
Control functions	Control methods	Sine wave PWM (V/f control, sensorless current vector control)
	Output frequency range	0.1..400 Hz
	Frequency tolerance	Digital set value: $\pm 0.01\%$ (-10..+50 °C)
		Analogue set value: $\pm 0.1\%$ (25 \pm 10 °C)
	Resolution of frequency set value	Digital set value: 0.01 Hz (<100 Hz), 0.1 Hz (>100 Hz)
		Analogue set value: 1/1000 of maximum frequency
	Resolution of output frequency	0.01 Hz
	Overload capability	Heavy duty use: 150% rated output current for one minute Normal duty use: 120% rated output current for one minute
	Frequency set value	0..10 V (20 k Ω), 4..20 mA (250 Ω), 0..20 mA (250 Ω) Pulse train input, frequency setting value (selectable)
	Braking torque (short term peak torque)	Short-term average deceleration torque: 150% (up 1.5 kW), 100% (for 1.5 kW), 50% (for 2.2 kW), 20% (for bigger size) Continuous regenerative torque: Approx 20% (125% with optional braking resistor, 10%ED, 10 s, braking transistor built in)
V/f Characteristics	Possible to program any V/f pattern	
Functionality	Inputs signals	Seven of the following input signals are selectable: Forward/reverse run (3-wire sequence), fault reset, external fault (NO/NC contact input), multi-step speed operation, Jog command, accel/decel time select, external baseblock, speed search command, UP/DOWN command, accel/decel hold command, LOCAL/REMOTE selection, communication/control circuit terminal selection, emergency stop fault, emergency stop alarm, self test
	Output signals	Following output signals are selectable (NO/NC contact output, 2 photo-coupler outputs): Fault, running, zero speed, speed agree, frequency detection (output frequency \leq or \geq set value), during overtorque detection, minor error, during baseblock, operation mode, drive run ready, during fault retry, during undervoltage detection, reverse running, during speed search, data output through communication.
	Standard functions	Open-loop vector control, full-range automatic torque boost, slip compensation, 17-step speed operation (max.), restart after momentary power loss, DC injection braking current at stop/start (50% of drive rated current, 0.5 sec, or less), frequency reference bias/gain, MEMOBUS communications (RS-485/422, max. 115K bps), fault retry, speed search, frequency upper/lower limit setting, overtorque detection, frequency jump, accel/decel time switch, accel/decel prohibited, S-curve accel/decel, PID control, energy-saving control, constant copy.
	Analogue inputs	2 analogue inputs, 0..10 V, 4..20 mA, 0..20 mA
	Braking/acceleration times	0.01..6000 s
	Display	Optionally frequency, current or set value Error and status LED
Protection functions	Motor overload protection	Electronic thermal overload relay
	Instantaneous overcurrent	Motor coasts to a stop at approx. 250% of drive rated current
	Overload	Heavy Duty: Motor coasts to a stop after 1 minute at 150% of drive rated output current Normal Duty: Motor coasts to a stop after 1 minute at 120% of drive rated output current
	Overvoltage	Motor coasts to a stop if DC bus voltage exceed 410 V (double for 400 V class)
	Undervoltage	Stops when DC bus voltage is approx. 190 V or less (double for 400 V class) (approx. 150 V or less for single-phase series)
	Momentary power loss	Following items are selectable: not provided (stop if power loss is 15 ms or longer), continuous operation if power loss is approx. 0.5 s or shorter, continuous operation
	Cooling fin overheat	Protected by thermistor
	Stall prevention level	Stall prevention during acceleration/deceleration and constant speed operation
	Ground fault	Protected by electronic circuit (operation level is approx. 250% of rated output current)
Power charge indication	Indicates until the main circuit voltage reaches 50 V.	
Ambient conditions	Degree of protection	IP20, NEMA1
	Cooling	Cooling fan is provided for 200 V, 0.75 kW (1HP) (3/single-phase) 400 V, 1.5 kW (2HP) (3-phase), others are self-cooling
	Ambient humidity	95% RH or less (without condensation)
	Storage temperature	-20 °C..+60 °C (short-term temperature during transportation)
	Installation	Indoor (no corrosive gas, dust, etc.)
	Installation height	Max. 1000 m
Vibration	Up to 9.8 m/s ² at 10 to less than 20 Hz, Up to 6.37 m/s ² at 20 to 50 Hz	

Dimensions

IP20 type

Figure 1

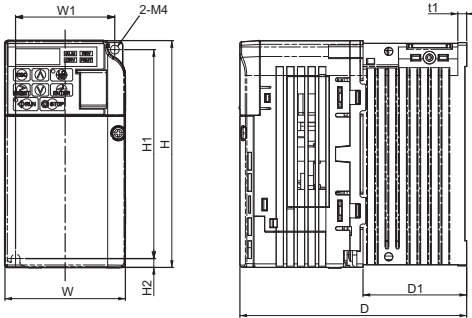
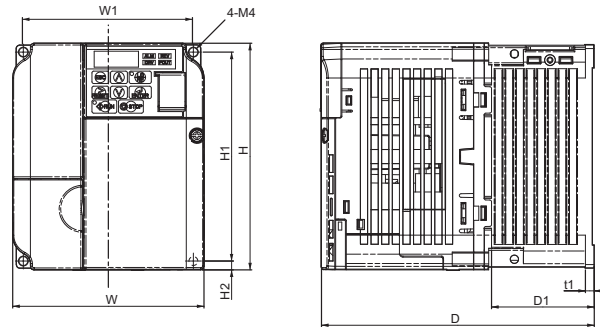
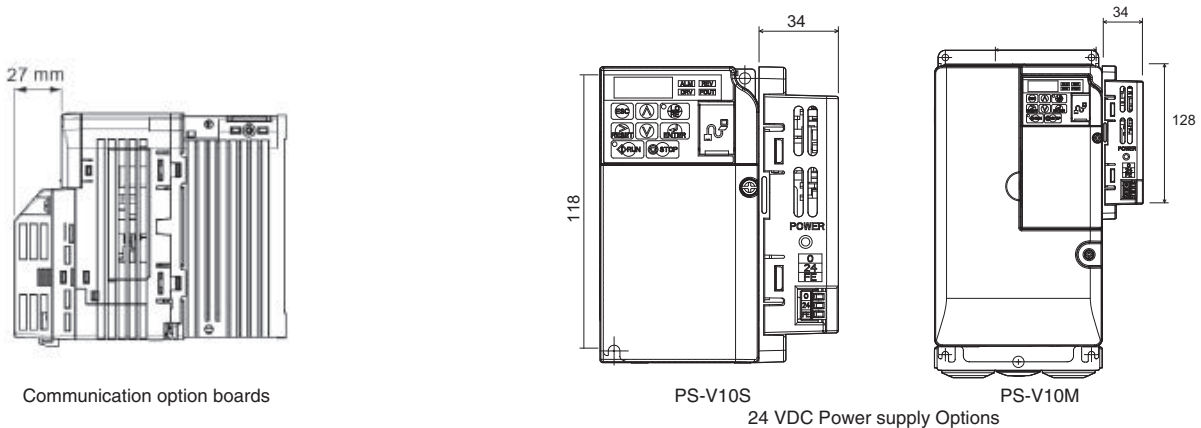


Figure 2



Voltage class	Max. applicable motor output kW	Drive model VZA□	Figure	Dimensions in mm										Weight kg					
				W1	H1	W	H	D	t1	H2	D1	H3	H4						
Single-phase 200 V	0.12	B0P1	1	56	118	68	128	76	3	5	6.5	-	-	0.6					
	0.25	B0P2						108			38.5			0.7					
	0.55	B0P4						137.5			58			1.0					
	1.1	B0P7	2	96	108	140	163	180	5	65	-	-	1.7						
	1.5	B1P5											154	2.4					
	2.2	B2P2											170	3.0					
Three-phase 200 V	0.12	20P1	1	56	118	68	128	76	3	5	6.5	-	-	0.6					
	0.25	20P2						108			38.5			0.6					
	0.55	20P4						128			58			0.9					
	1.1	20P7	2	96	108	140	143	129	5	65	-	-	1.1						
	1.5	21P5											137.5	1.3					
	2.2	22P2											180	1.4					
	4.0	24P0	3	128	140	254	140	-	6	55	13	6.2	2.1						
	5.5	25P5											8	75	3.8				
	7.5	27P5											7	78	3.8				
	11	2011	3	160	284	180	290	163	-	8	75	15	7.2	5.5					
	15	2015												192	336	220	358	187	9.2
	Three-phase 400 V	0.37												40P2	2	96	118	108	128
0.55		40P4	99	28	1.0														
1.1		40P7	137.5	58	1.4														
1.5		41P5	3	128	140	254	140	-	6	55	13	6	6.2	1.5					
2.2		42P2												143	65	1.5			
3.0		43P0												143	65	1.5			
4.0		44P0	3	122	248	140	290	143	-	8	75	15	6	2.1					
5.5		45P5												143	65	3.8			
7.5		47P5												163	75	3.8			
11		4011	3	160	284	180	290	163	-	8	75	15	6	5.2					
15	4015	163												75	5.5				

V1000 + Option board (Communication and 24 VDC power supply)



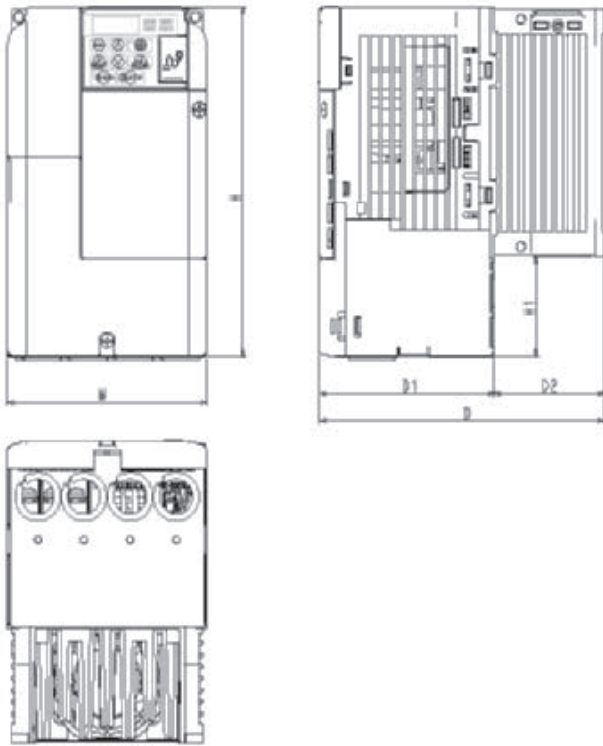
Communication option boards

PS-V10S

24 VDC Power supply Options

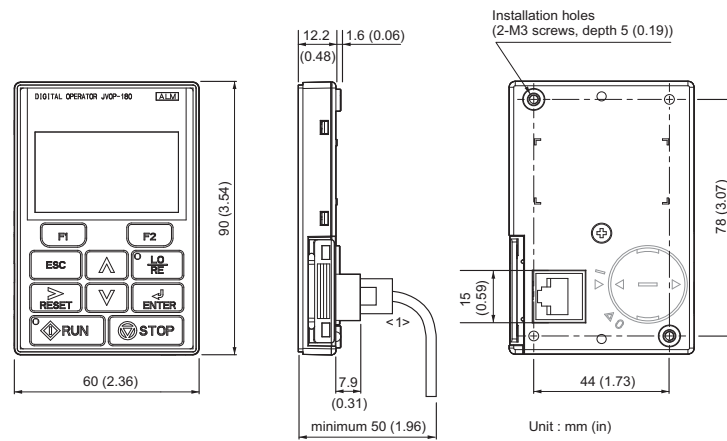
PS-V10M

Built-in filter



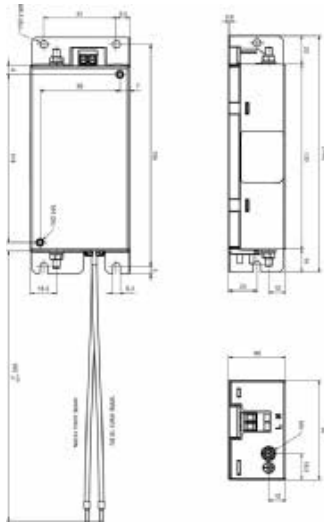
VZA□	Dimensions in mm					
	W	H	H1	D1	D2	D
B0P1	68+	178	50	69.5	6.5	76
B0P2				79.5	38.5	118
B0P4				77.9	59.6	137.5
B0P7	108			89.4	64.6	154
B1P5						
B2P2	140	183	55	96.4	66.6	163
40P2	108	178	50	69.4	11.6	81
40P4					29.6	99
40P7					77.9	137.5
41P5						
42P2					94.4	59.6
43P0						
44P0	140	183	55	76.4	66.6	143

Remote LCD operator

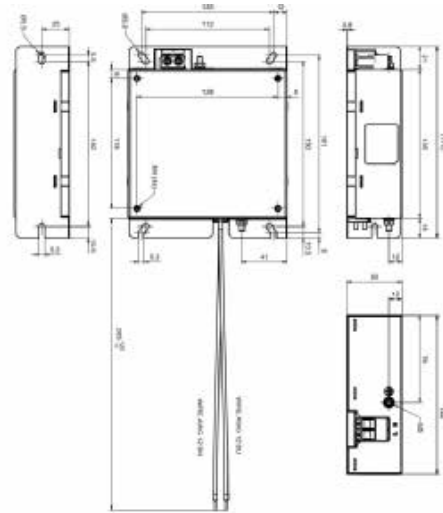


Line filters

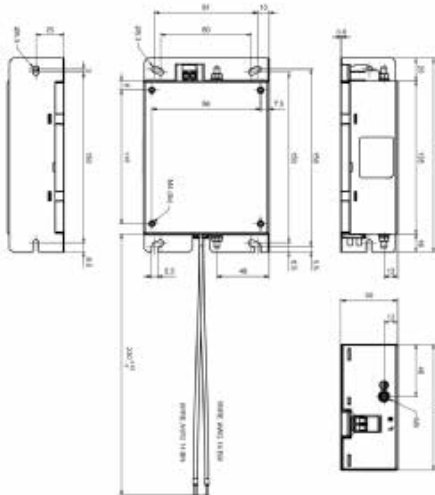
AX-FIC1010-SE



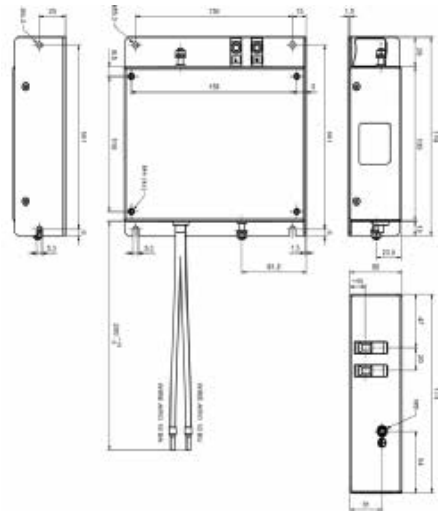
AX-FIC1030-SE



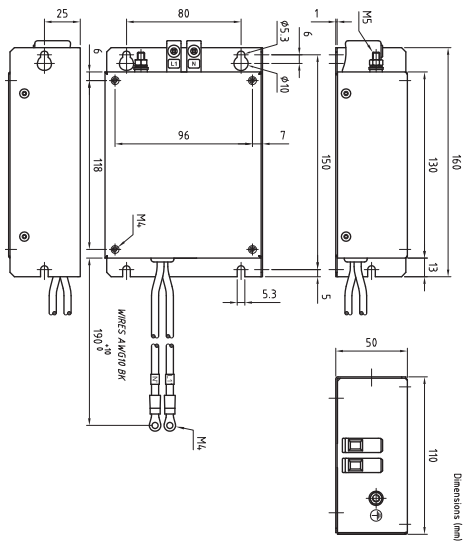
AX-FIC1020-SE



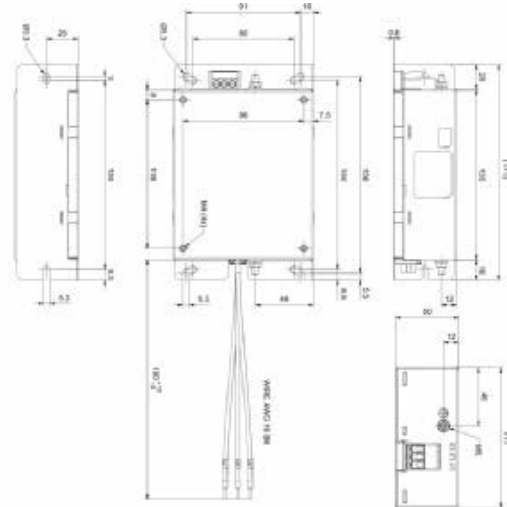
AX-FIC1040-SE



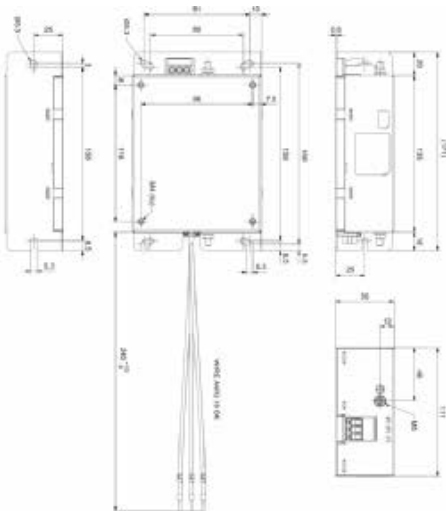
AX-FIM1024-SE



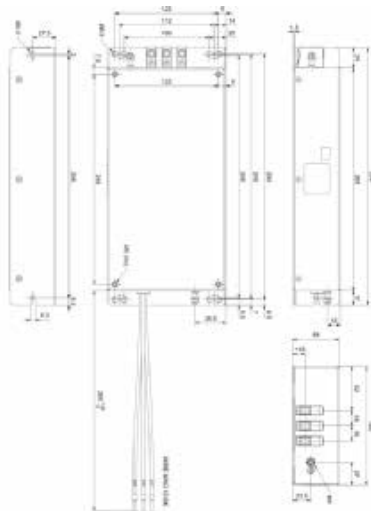
AX-FIC4005-SE



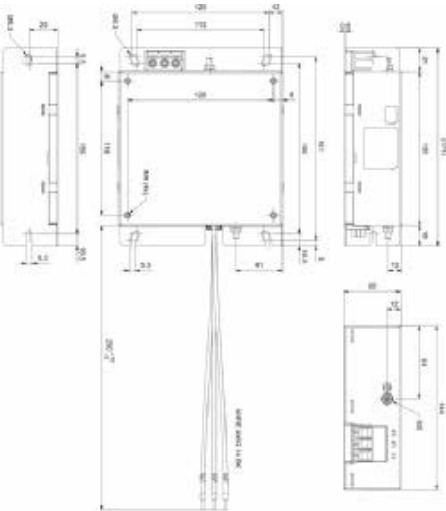
AX-FIC4010-SE



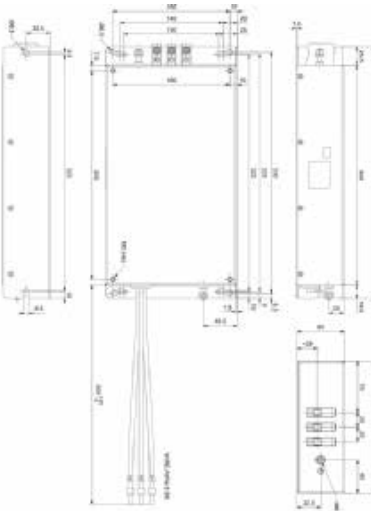
AX-FIC4030-SE



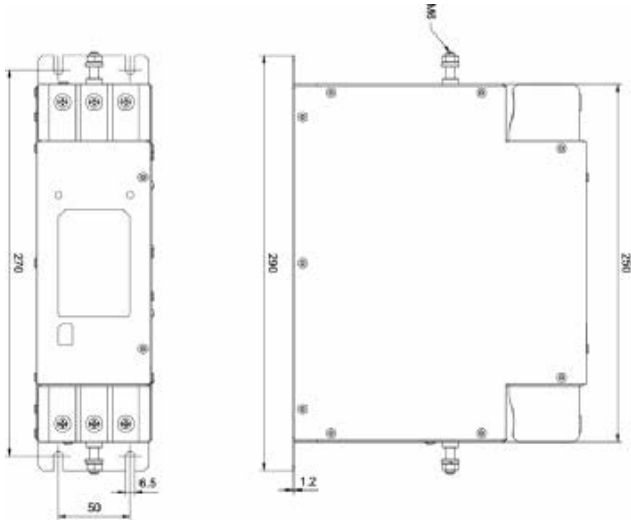
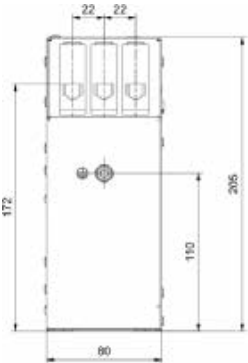
AX-FIC4015-SE



AX-FIC4050-SE



AX-FIC4080-SE

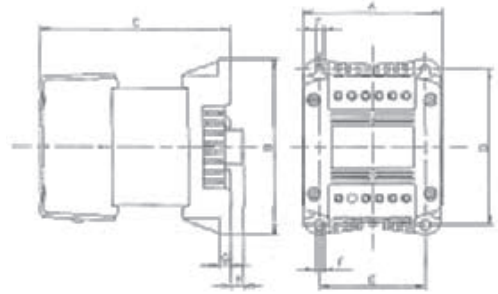


Note: LL filters has same dimensions than standard ones.

Input AC Reactor

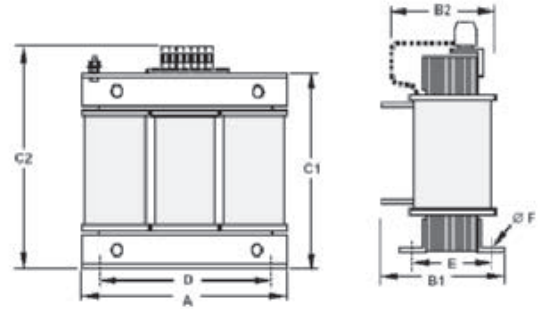
Single-phase

Voltage	Reference	Dimensions								Weight kg
		A	B	C	D	E	F	G	H	
200 V	AX-RAI02000070-DE	84	113	96	101	66	5	7.5	2	1.22
	AX-RAI01700140-DE	84	113	116	101	66	5	7.5	2	1.95
	AX-RAI01200200-DE	84	113	131	101	66	5	7.5	2	2.55
	AX-RAI00630240-DE	84	113	116	101	66	5	7.5	2	1.95



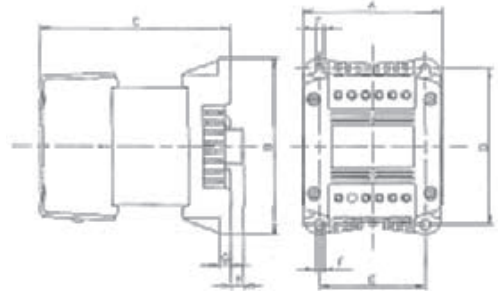
Three-phase

Voltage	Reference	Dimensions						Weight kg
		A	B2	C2	D	E	F	
200 V	AX-RAI02800080-DE	120	70	120	80	52	5.5	1.78
	AX-RAI00880200-DE	120	80	120	80	62	5.5	2.35
	AX-RAI00350335-DE	180	85	190	140	55	6	5.5
	AX-RAI00180670-DE	180	85	190	140	55	6	5.5
400 V	AX-RAI07700050-DE	120	70	120	80	52	5.5	1.78
	AX-RAI03500100-DE	120	80	120	80	62	5.5	2.35
	AX-RAI01300170-DE	120	80	120	80	62	5.5	2.50
	AX-RAI00740335-DE	180	85	190	140	55	6	5.5



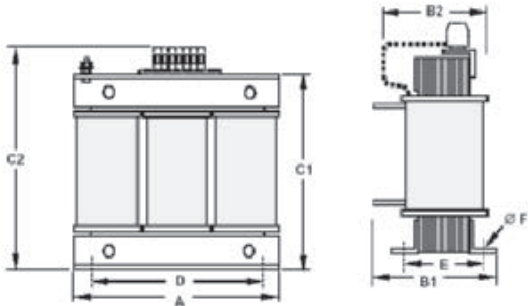
DC Reactor

Voltage	Reference	Dimensions								Weight kg	
		A	B	C	D	E	F	G	H		
200 V	AX-RC21400016-DE	84	113	96	101	66	5	7.5	2	1.22	
	AX-RC10700032-DE			105							1.60
	AX-RC06750061-DE			105							1.95
	AX-RC03510093-DE			116							3.20
	AX-RC01600223-DE	108	135	124	120	82	6.5	9.5	9.5	5.20	
	AX-RC01110309-DE	120	152	136	135	94	7	7	7	6.00	
	AX-RC00840437-DE			146							11.4
	AX-RC00590614-DE	150	177	160	160	115	7	2	2	14.3	
	AX-RC00440859-DE			182.6							1.22
400 V	AX-RC43000020-DE	84	113	96	101	66	5	7.5	2	1.60	
	AX-RC27000030-DE			105							1.95
	AX-RC14000047-DE			105							3.70
	AX-RC10100069-DE			116							5.20
	AX-RC06400116-DE	108	135	133	120	82	6.5	9.5	9.5	6.00	
	AX-RC04410167-DE	120	152	136	135	94	7	7	7	11.4	
	AX-RC03350219-DE			146							14.3
	AX-RC02330307-DE	150	177	160	160	115	7	2	2	1.22	
	AX-RC01750430-DE			183							1.60



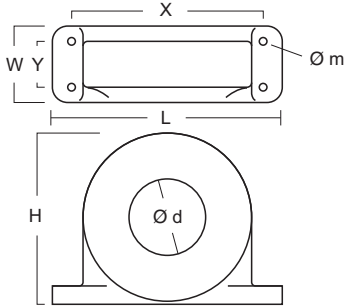
Output AC Reactor

Voltage	Reference	Dimensions						Weight kg
		A	B2	C2	D	E	F	
200 V	AX-RAO11500026-DE	120	70	120	80	52	5.5	1.78
	AX-RAO07600042-DE	120	70	120	80	52	5.5	1.78
	AX-RAO04100075-DE	120	80	120	80	62	5.5	2.35
	AX-RAO03000105-DE	120	80	120	80	62	5.5	2.35
	AX-RAO01830180-DE	180	85	195	140	55	6	5.5
	AX-RAO01150220-DE	180	85	195	140	55	6	5.5
	AX-RAO00950320-DE	180	85	210	140	55	6	6.5
	AX-RAO00630430-DE	180	95	210	140	65	6	9.1
400 V	AX-RAO00490640-DE	180	105	210	140	75	6	11.7
	AX-RAO16300038-DE	120	80	120	80	62	5.5	2.35
	AX-RAO11800053-DE	120	80	120	80	62	5.5	2.35
	AX-RAO07300080-DE	180	85	195	140	55	6	5.5
	AX-RAO04600110-DE	180	85	195	140	55	6	5.5
	AX-RAO03600160-DE	180	85	210	140	55	6	6.5
	AX-RAO02500220-DE	180	95	210	140	65	6	9.1
	AX-RAO02000320-DE	240	110	275	200	75	6	16.0

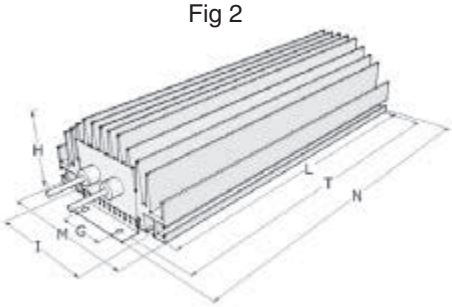
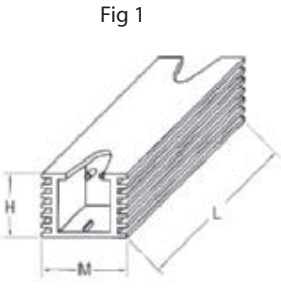
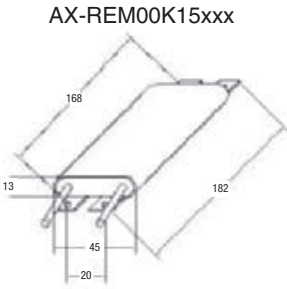


Chokes

Description	D diameter	Motor KW	Dimensions in mm						Weight kg
			L	W	H	X	Y	m	
AX-FER2102-RE	21	< 2.2	85	22	46	70	-	5	0.1
AX-FER2515-RE	25	< 15	105	25	62	90	-	5	0.2
AX-FER5045-RE	50	< 45	150	50	110	125	30	5	0.7

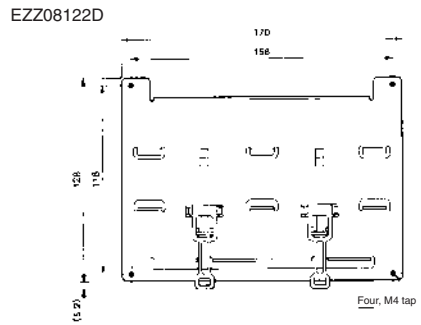
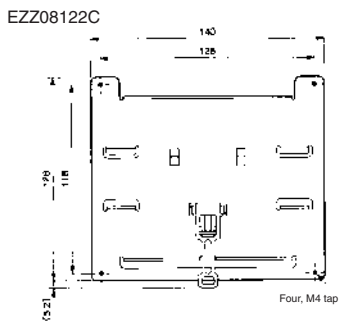
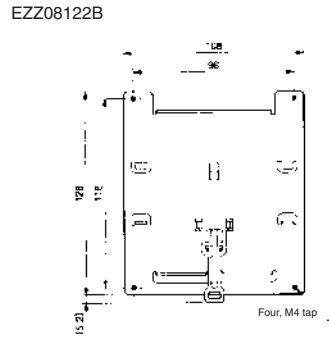
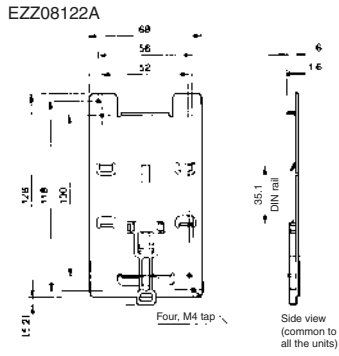


Resistor Dimensions



Type	Fig.	Dimensions in mm							Weight kg
		L	H	M	I	T	G	N	
AX-REM00K1400-IE	1	105	27	36	94	-	-	-	0.2
AX-REM00K2070-IE									
AX-REM00K2120-IE									
AX-REM00K2200-IE									
AX-REM00K4035-IE	2	200	61	100	74.5	216	40	230	0.425
AX-REM00K6035-IE									0.73
AX-REM00K9020-IE									1.41
AX-REM00K9017-IE									

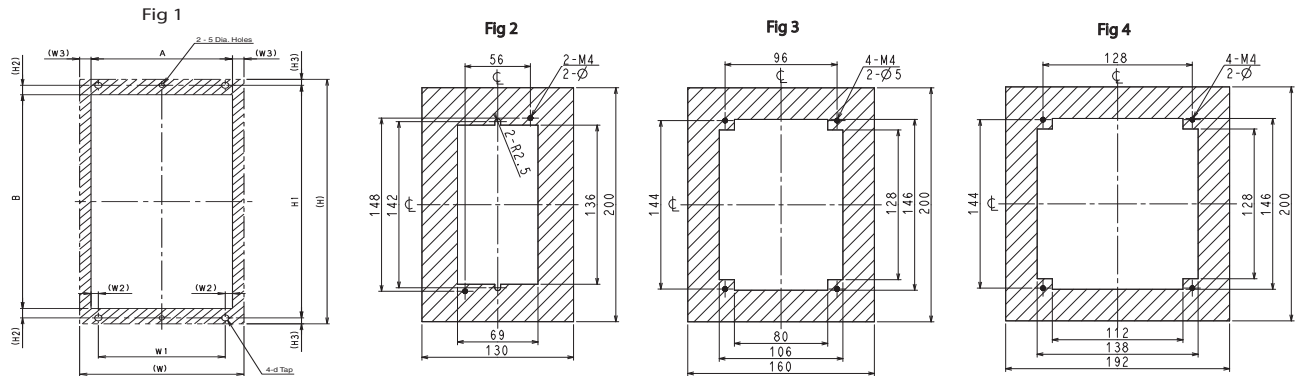
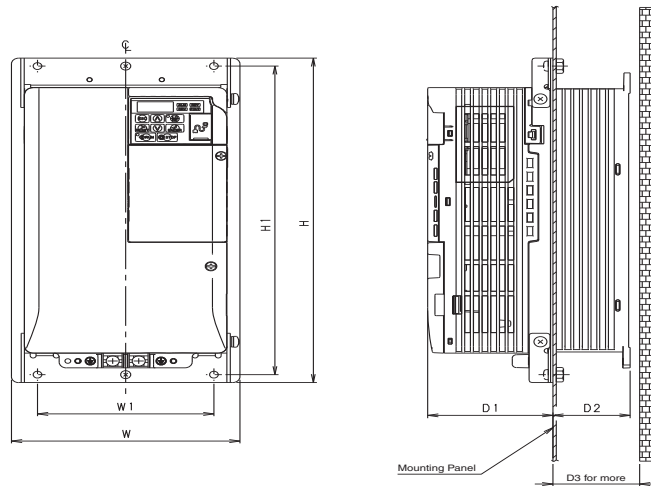
DIN rail mounting bracket



Drive VZA□		DIN rail mounting bracket
1-phase 200 VAC	B0P1/ B0P2/ B0P4	EZZ08122A
	B0P7/ B1P5	EZZ08122B
	B2P2	EZZ08122C
	B4P0	EZZ08122D
3-phase 200 VAC	20P1/ 20P2 / 20P4/ 20P7	EZZ08122A
	21P5/ 22P2	EZZ08122B
	24P0	EZZ08122C
3-phase 400 VAC	40P2/ 40P4/ 40P7/ 41P5/ 42P2	EZZ08122B
	44P0	EZZ08122C

Heatsink attachment and Panel cut dimensions

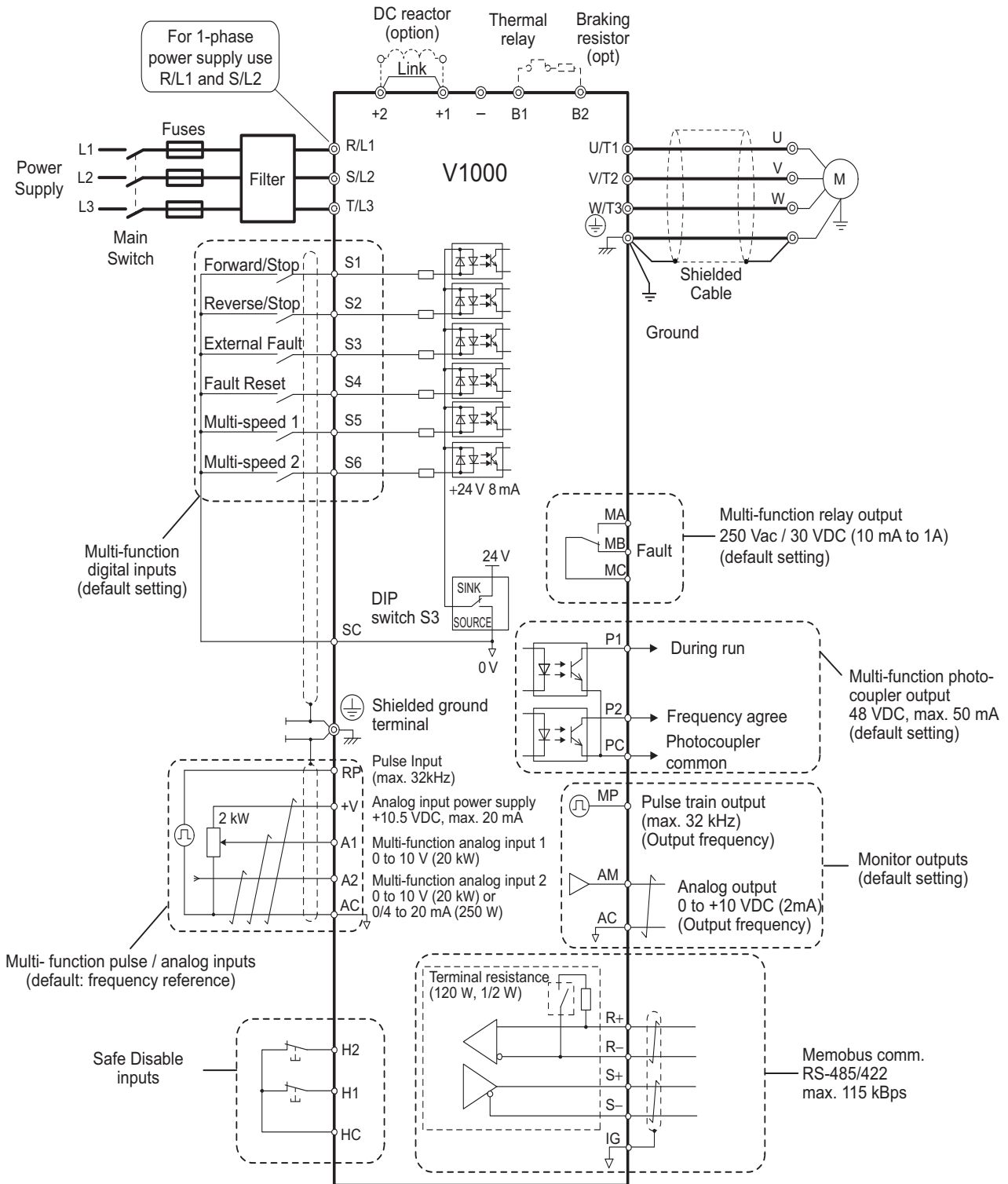
Heatsink External Mounting Attachment



VZA□	Reference	Frame			Panel Cutting											
		W	H	W1	H1	D1	D2	D3	Fig	(W2)	(W3)	(H2)	(H3)	A	B	
1X200 V	B0P1	100-034-075	68	128	56	118	69.2	12	30	2	-					
	B0P2															
	B0P4							42	50							
	B0P7	100-035-418	108	128	96	118	79.5	58	70	3	-					
	B1P5	100-034-079														
	B2P2	100-034-080					96	65	4							-
B4P0	100-036-357	128														
3x200 V	20P1	100-034-075	68	128	56	118	69.2	12	30	2	-					
	20P2															
	20P4						100-034-076		42							50
	20P7	100-034-077	108	128	96	118	71	58	70	3	-					
	21P5	100-034-079														
	22P2						79.5	70								
	24P0	100-034-080	140		128		86.5	53.5	60	4	-					
	25P5	100-036-300	158	286	122	272	86.6	53.4	60							1
	27P5									10		10.5		180	287	
	2011	100-036-301	198	322	160	308	89.6	73.4	80	1	14	10.5	10.5	9	220	341
2015	100-036-302	241	380	192	362	110.6	76.4	85	3		-					
3X400 V	40P2	100-034-078	108	128	96	118	71	13.2								30
	40P4															
	40P7						100-036-418		28	40						
41P5	100-034-079	108	128	96	118	79.5	58	70	3	-						
42P2																
43P0																
44P0	100-034-080	140		128		78	65		4	-						
45P5	100-036-300	158	286	122	272	86.6	53.4	60							1	9
47P5									10	10.5	10.5	9	180	287		
4011	100-036-301	198	322	160	308	86.6	73.4	80	1	10	9	10.5	7	180	287	
4015																

Installation

Standard connections



Symbols:

- ⊗ Use twisted pair cables
- ⊗ Indicates a main circuit terminal
- ⊗ Use shielded twisted pair cables
- Indicates a control circuit terminal.

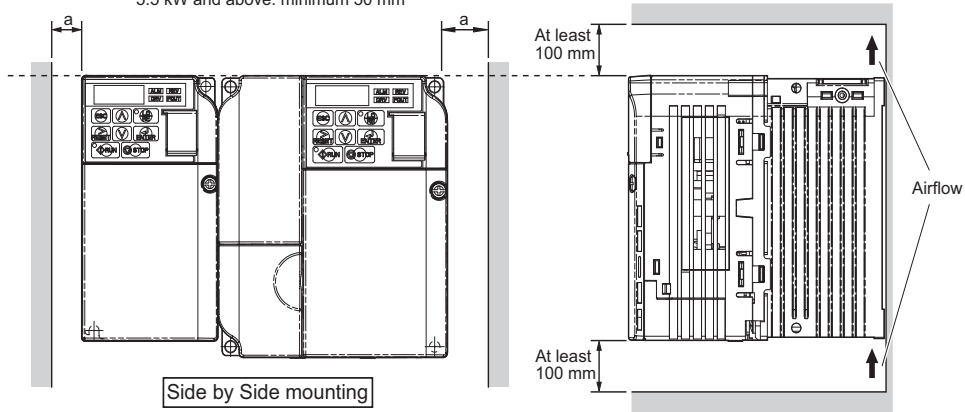
Main circuit

Terminal	Name	Function (signal level)
R/L1, S/L2, T/L3	Main circuit power supply input	Used to connect line power to the drive. Drives with single-phase 200 V input power use only terminals R/L1 and S/L2 (T/L3 is not connected to anything)
U/T1, V/T2, W/T3	Drive output	Used to connect the motor
B1, B2	Braking resistor connection	Available for connecting a braking resistor or the braking resistor unit option.
+2, +1	DC reactor connection	Remove the short bar between +2 and +1 when connecting DC reactor (option)
+1, -	DC power supply input	For power supply input (+1: positive electrode; - : negative electrode)
⊕	Grounding	For grounding (grounding should conform to the local grounding code.)

Control Circuit

Type	No.	Signal name	Function	Signal level
Digital input signals	S1	Multi-function input selection 1	Factory setting: runs when CLOSED, stops when OPEN.	24 VDC, 8 mA photocoupler insulation
	S2	Multi-function input selection 2	Factory setting: runs when CLOSED, stops when OPEN.	
	S3	Multi-function input selection 3	Factory setting: External Fault (N.O.)	
	S4	Multi-function input selection 4	Factory setting: Fault reset	
	S5	Multi-function input selection 5	Factory setting: Multi-step speed cmd 1	
	S6	Multi-function input selection 6	Factory setting: Multi-step speed cmd 2	
	SC	Multi-function input selection Common	Common for control signal	
Analog input signals	RP	Main Speed Cmd Pulse Train Input	32 kHz max.	
	FS	Power Supply for Frequency Setting	+10 V (allowable max current 20 mA)	
	FR1	Main Speed Freq Ref	Voltage input or current input 0 to +10 VDC (20 kΩ) (resolution 1/1000) 4 to 20 mA (250 Ω) or 0 to 20 mA (250 Ω) Resolution: 1/500	
	FR2			
FC	Frequency reference common	0 V		
Fast Stop Cmd	HC	Power Supply Fast Stop Cmd	+24 V (max allowable current 10 mA)	
	H1	Special Digital input	Open: Fast Stop Closed: Normal Operation	
	H2	Special Digital input		
Digital output signals	MA	NO contact output	Factory setting: "fault"	Contact capacity 250 VAC, 1 A or less 30 VDC, 1 A or less
	MB	NC Output		
	MC	Relay Output common		
	P1	Photocoupler output 1	Factory setting: During run	Photocoupler output: +48 VDC, 50 mA or less
	P2	Photocoupler output 2	Factory setting: Frequency Agree	
	PC	Photocoupler output common	0 V	
Analog output signals	PM	Pulse train Output	max 33 kHz	
	AM	Analog monitor output	Factory setting: "output frequency" 0 to +10 V output Resolution: 1/1000	0 to 10 V 2 mA or less Resolution: 8 bits
	AC	Analog monitor common	0 V	
RS-485/422	R+	Communication input (+)	For MEMOBUS communication operation by RS-485 or RS-422 communication is available.	RS-485/422 MEMOBUS protocol
	R-	Communication input (-)		
	S+	Communication output (+)		
	S-	Communication output (-)		

a: Space required differs by model:
Up to 3.7 kW: minimum 30 mm
5.5 kW and above: minimum 50 mm



Drive heat loss

Single-phase 200 V class

Model VZA		B0P1	B0P2	B0P4	B0P7	B1P5	B2P2	B4P0
Drive capacity kVA		0.3	0.6	1.1	1.9	3.0	4.2	6.7
Rated current (A) at HD		0.8	1.6	3	5	8	11	17.5
Rated current (A) at ND		1.2	1.9	3.5	6.0	9.6	12.0	-
Heat loss W HD	Fin	4.3	7.9	16.1	42.5	54.8	70.7	110.5
	Inside unit	7.4	8.9	11.5	19.0	25.9	34.1	51.4
	Total heat loss	11.7	16.7	27.7	61.5	80.7	104.8	161.9
Heat loss W ND	Fin	4.7	7.2	15.1	26.2	48.6	57.9	93.3
	Inside unit	8.4	9.6	14.3	20.8	29.0	36.3	58.5
	Total heat loss	13.1	16.8	28.3	56.5	77.6	94.2	151.8
Cooling Method		Self Cooled			Fan Cooled			

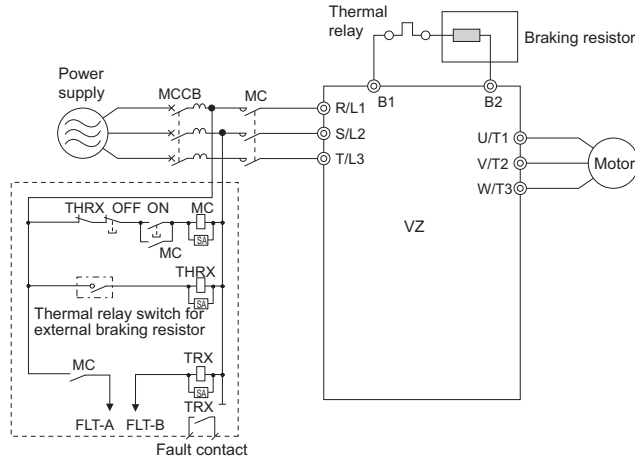
Three-phase 200 V class

Model VZA		20P1	20P2	20P4	20P7	21P5	22P2	24P0	25P5	27P5	2011	2015
Drive capacity kVA		0.3	0.6	1.1	1.9	3.0	4.2	6.7	9.5	13	18	23
Rated current (A) at HD		0.8	1.6	3	5	8	11	17.5	25	33	47.0	60.0
Rated current (A) at ND		1.2	1.9	3.5	6.0	9.6	12.0	19.6	30.0	40.0	56.0	69.0
Heat loss W HD	Fin	4.3	7.9	16.1	27.4	54.8	70.7	110.5	231.5	239.5	347.6	437.7
	Inside unit	7.3	8.8	11.5	15.9	23.8	30.0	43.3	72.2	81.8	117.6	151.4
	Total heat loss	11.6	16.7	27.7	43.3	78.6	100.6	153.8	303.7	321.3	465.2	589.1
Heat loss W ND	Fin	4.7	7.2	14.0	35.6	48.6	57.9	93.3	236.8	258.8	342.8	448.5
	Inside unit	7.9	9.4	13.4	16.9	25.0	29.6	45.0	87.2	11.4	149.1	182.2
	Total heat loss	12.6	16.6	28.5	43.1	73.6	87.5	138.2	324.0	370.3	491.9	630.7
Cooling Method		Self Cooled				Fan Cooled						

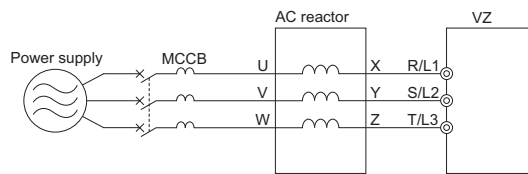
Three-phase 400 V class

Model VZA		40P2	40P4	40P7	41P5	42P2	43P0	44P0	45P5	47P5	4011	4015
Drive capacity kVA		0.9	1.4	2.6	3.7	4.2	5.5	7.2	9.2	14.8	18	24
Rated current (A) at HD		1.2	1.8	3.4	4.8	5.5	7.2	9.2	14.8	18.0	24	31
Rated current (A) at ND		1.2	2.1	4.1	5.4	6.9	8.8	11.1	17.5	23	31	38
Heat loss W HD	Fin	19.2	28.9	42.3	70.7	81.0	84.6	107.2	166.0	207.1	266.9	319.1
	Inside unit	11.4	14.9	17.9	26.2	30.7	32.9	41.5	62.7	78.1	105.9	126.6
	Total heat loss	30.6	43.7	60.2	96.9	111.7	117.5	148.7	228.7	285.2	372.7	445.8
Heat loss W ND	Fin	8.2	15.5	26.4	37.5	49.7	55.7	71.9	170.3	199.5	268.6	298.7
	Inside unit	9.2	13.1	15.8	20.0	26.3	29.4	43.6	78.1	105.3	142.8	152.2
	Total heat loss	17.4	28.6	42.2	57.5	76.0	85.1	115.5	248.4	304.8	411.4	450.9
Cooling Method		Self Cooled				Fan Cooled						

Connections for braking resistor

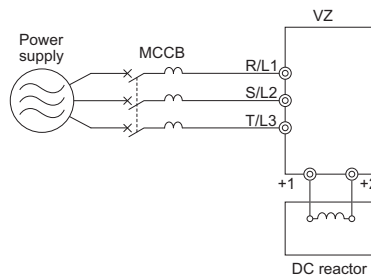


Input AC Reactor



1 phase 200 V class				3 phase 200 V class				400 V class			
Max. applicable motor output kW	Reference	Current value A	Inductance mH	Max. applicable motor output kW	Reference	Current value A	Inductance mH	Max. applicable motor output kW	Reference	Current value A	Inductance mH
0.4	AX-RAI02000070-DE	7.0	2.0	1.5	AX-RAI02800080-DE	8.0	2.8	1.5	AX-RAI07700050-DE	5.0	7.7
0.75	AX-RAI01700140-DE	14.0	1.7	3.7	AX-RAI00880200-DE	20.0	0.88	4.0	AX-RAI03500100-DE	10.0	3.5
1.5	AX-RAI01200200-DE	20.0	1.2	7.5	AX-RAI00350335-DE	33.5	0.35	7.5	AX-RAI01300170-DE	17.0	1.3
2.2	AX-RAI00630240-DE	24.0	0.63	11	AX-RAI00180670-DE	67.0	0.18	11	AX-RAI00740335-DE	33.5	0.74
-	-	-	-	15	AX-RAI00091000-DE	100.0	0.09	15	AX-RAI00360500-DE	50.0	0.36

DC Reactor



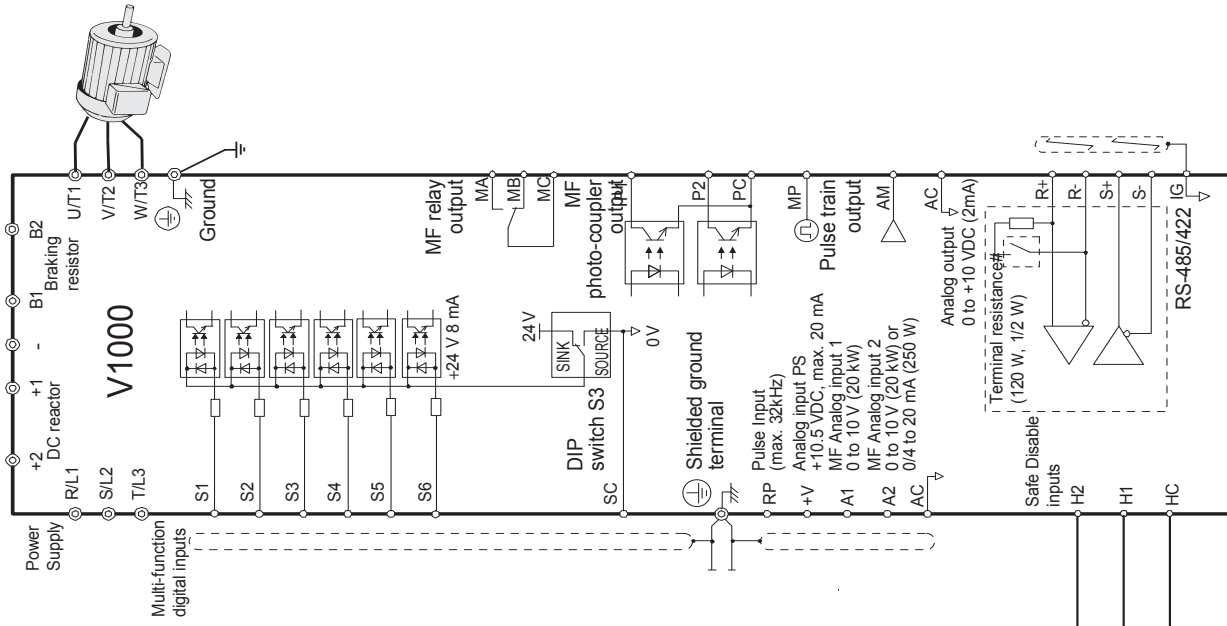
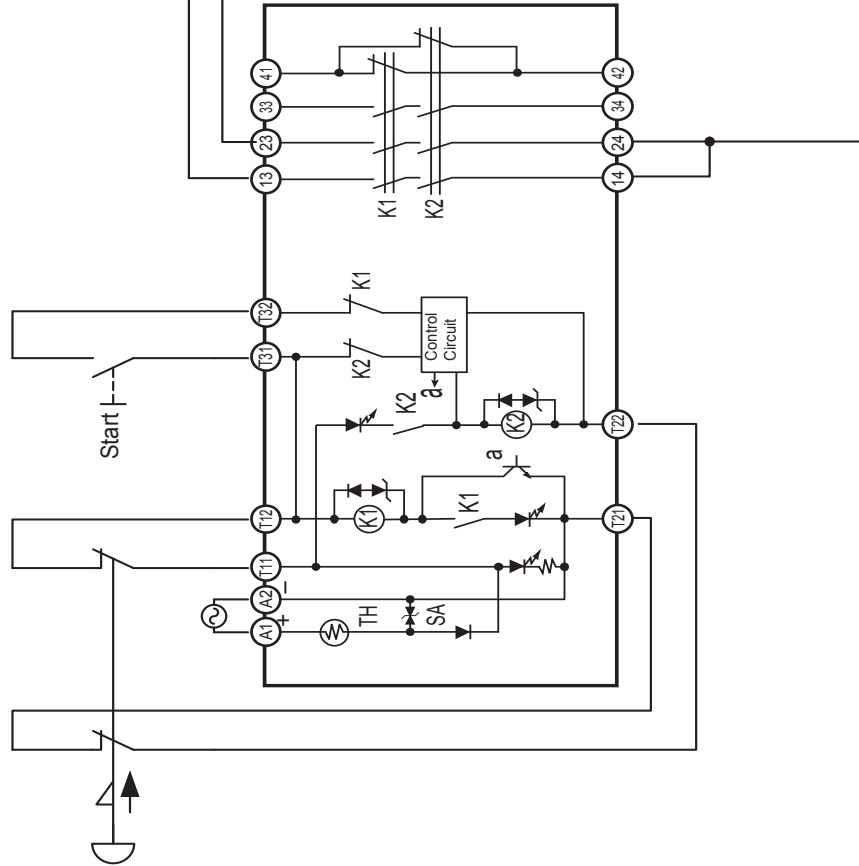
200 V class				400 V class			
Max. applicable motor output kW	Reference	Current value A	Inductance mH	Max. applicable motor output kW	Reference	Current value A	Inductance mH
0.2	AX-RC21400016-DE	1.6	21.4	0.4	AX-RC43000020-DE	2.0	43.0
0.4	AX-RC10700032-DE	3.2	10.7	0.7	AX-RC27000030-DE	3.0	27.0
0.7	AX-RC06750061-DE	6.1	6.75	1.5	AX-RC14000047-DE	4.7	14.0
1.5	AX-RC03510093-DE	9.3	3.51	2.2	AX-RC10100069-DE	6.9	10.1
2.2	AX-RC02510138-DE	13.8	2.51	3.0 to 4.0	AX-RC06400116-DE	11.6	6.40
3.7	AX-RC01600223-DE	22.3	1.60	5.5	AX-RC04410167-DE	16.7	4.41
5.5	AX-RC01110309-DE	30.9	1.11	7.5	AX-RC03350219-DE	21.9	3.35
7.5	AX-RC00840437-DE	43.7	0.84	11.0	AX-RC02330307-DE	30.7	2.33
11.0	AX-RC00590614-DE	61.4	0.59	15.0	AX-RC01750430-DE	43.0	1.75
15.0	AX-RC00440859-DE	85.9	0.44	-	-	-	-

Output AC Reactor

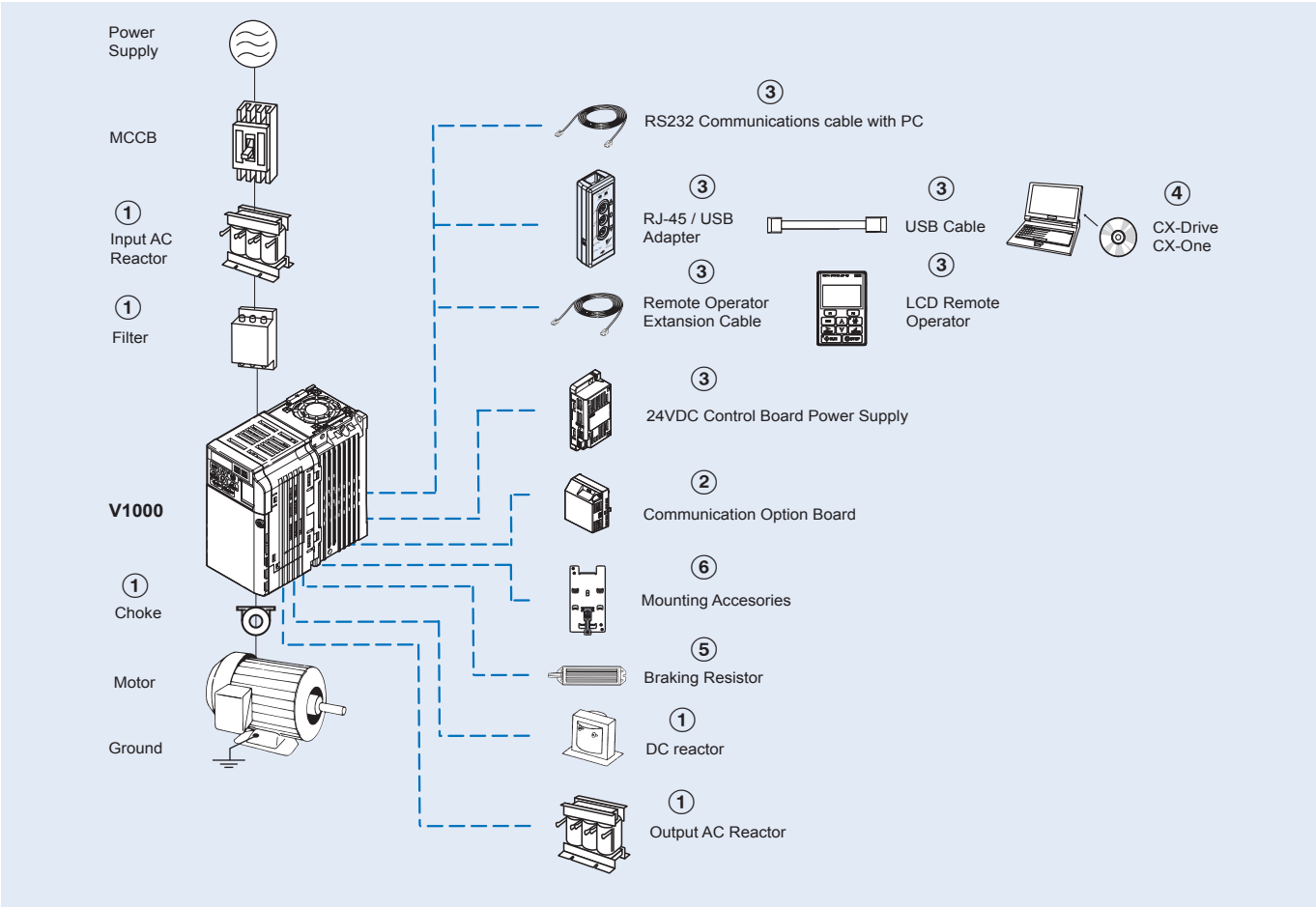
200 V class				400 V class			
Max. applicable motor output kW	Reference	Current value A	Inductance mH	Max. applicable motor output kW	Reference	Current value A	Inductance mH
0.4	AX-RAO11500026-DE	2.6	11.50	1.5	AX-RAO16300038-DE	3.8	16.30
0.75	AX-RAO07600042-DE	4.2	7.60				
1.5	AX-RAO04100075-DE	7.5	4.10				
2.2	AX-RAO03000105-DE	10.5	3.00	2.2	AX-RAO11800053-DE	5.3	11.80
3.7	AX-RAO01830160-DE	16.0	1.83	4.0	AX-RAO07300080-DE	8.0	7.30
5.5	AX-RAO01150220-DE	22.0	1.15	5.5	AX-RAO04600110-DE	11.0	4.60
7.5	AX-RAO00950320-DE	32.0	0.95	7.5	AX-RAO03600160-DE	16.0	3.60
11	AX-RAO00630430-DE	43.0	0.63	11	AX-RAO02500220-DE	22.0	2.50
15	AX-RAO00490640-DE	64.0	0.49	15	AX-RAO02000320-DE	32.0	2.00

Safety System

V1000 safe stop application using OMRON G9SB safety relay unit complies to safety category 3 according EN 954-1 / Stop category 0 according EN60204
 Ensure V1000 and safety relay are mounted in the same cabinet to exclude cross circuit between H1 and H2



Ordering information



V1000

	Specifications				Model	
	Heavy Duty		Normal Duty		Standard	Built-in filter
1x200 V	0.12 kW	0.8 A	0.18 kW	0.8 A	VZAB0P1BAA	VZAB0P1EAB
	0.25 kW	1.6 A	0.37 kW	1.6 A	VZAB0P2BAA	VZAB0P2EAB
	0.55 kW	3.0 A	0.75 kW	3.5 A	VZAB0P4BAA	VZAB0P4EAB
	1.1 kW	5.0 A	1.1 kW	6.0 A	VZAB0P7BAA	VZAB0P7EAB
	1.5 kW	8.0 A	2.2 kW	9.6 A	VZAB1P5BAA	VZAB1P5EAB
	2.2 kW	11.0 A	3.0 kW	12.0 A	VZAB2P2BAA	VZAB2P2EAB
3x200 V	4.0 kW	17.5 A	5.5 kW	21.0 A	VZAB4P0BAA	-
	0.12 kW	0.8 A	0.18 kW	0.8 A	VZA20P1BAA	-
	0.25 kW	1.6 A	0.37 kW	1.6 A	VZA20P2BAA	-
	0.55 kW	3.0 A	0.75 kW	3.5 A	VZA20P4BAA	-
	1.1 kW	5.0 A	1.1 kW	6.0 A	VZA20P7BAA	-
	1.5 kW	8.0 A	2.2 kW	9.6 A	VZA21P5BAA	-
	2.2 kW	11.0 A	3.0 kW	12.0 A	VZA22P2BAA	-
	4.0 kW	17.5 A	5.5 kW	21.0 A	VZA24P0BAA	-
	5.5 kW	25.0 A	7.5 kW	30.0 A	VZA25P5FAA	-
	7.5 kW	33.0 A	11.0 kW	40.0 A	VZA27P5FAA	-
3x400 V	11 kW	47.0 A	15.0 kW	56.0 A	VZA2011FAA	-
	15 kW	60.0 A	18.5 kW	69.0 A	VZA2015FAA	-
	0.37 kW	1.2 A	0.37 kW	1.2 A	VZA40P2BAA	VZA40P2EAB
	0.55 kW	1.8 A	0.75 kW	2.1 A	VZA40P4BAA	VZA40P4EAB
	1.1 kW	3.4 A	1.5 kW	4.1 A	VZA40P7BAA	VZA40P7EAB
	1.5 kW	4.8 A	2.2 kW	5.4 A	VZA41P5BAA	VZA41P5EAB
	2.2 kW	5.5 A	3.0 kW	6.9 A	VZA42P2BAA	VZA42P2EAB
	3.0 kW	7.2 A	4.0 kW	8.8 A	VZA43P0BAA	VZA43P0EAB
	4.0 kW	9.2 A	5.5 kW	11.1 A	VZA44P0BAA	VZA44P0EAB
	5.5 kW	14.8 A	7.5 kW	17.5 A	VZA45P5FAA	-
	7.5 kW	18.0 A	11.0 kW	23.0 A	VZA47P5FAA	-
	11 kW	24.0 A	15.0 kW	31.0 A	VZA4011FAA	-
15 kW	31.0 A	18.5 kW	38.0 A	VZA4015FAA	-	

① Line filters

Drive		Standard		Low leakage	
Voltage	Model 3G3MX2-	Reference	Current (A)	Reference	Current (A)
1Phase 200 VAC	AB001 / AB002 / AB004	AX-FIC1010-SE	7.3	AX-FIC1010-SE-LL	7.3
	AB007	AX-FIC1020-SE	13.8	AX-FIC1020-SE-LL	13.8
	AB015	AX-FIM1024-SE ¹	27	AX-FIM1024-SE-LL ¹	27
		AX-FIC1030-SE ²	24	AX-FIC1030-SE-LL ²	24
	AB022	AX-FIC1030-SE	24	AX-FIC1030-SE-LL	24
3Phase 200 VAC	A2001 / A2002 / A2004	AX-FIC4005-SE	4.3	AX-FIC4005-SE-LL	4.3
	A2007	AX-FIC4010-SE	9.4	AX-FIC4010-SE-LL	9.4
	A2015 / A2022	AX-FIC4015-SE	14	AX-FIC4015-SE-LL	14
	A2037	AX-FIC4030-SE	24	AX-FIC4030-SE-LL	24
	A2055 / A2075	AX-FIC4050-SE	44	AX-FIC4050-SE-LL	44
3Phase 400 VAC	A2075 / A2110 / A2150	AX-FIC4080-SE	81	AX-FIC4080-SE-LL	81
	A4004 / A4007	AX-FIC4005-SE	4.3	AX-FIC4005-SE-LL	4.3
	A4015 / A4022 / A4030	AX-FIC4010-SE	9.4	AX-FIC4010-SE-LL	9.4
	A4040	AX-FIC4015-SE	14	AX-FIC4015-SE-LL	14
	A4055 / A4075	AX-FIC4030-SE	24	AX-FIC4030-SE-LL	24
A4110 / A4150	AX-FIC4050-SE	44	AX-FIC4050-SE-LL	44	

1. No UL approved
2. No footprint

Note: Note: 200 V Three-phase filters are not footprint.

① Input AC reactors

Voltage	Drive	AC Reactor
	Model VZA□	Reference
1-Phase 200 VAC	B0P1 / B0P2 / B0P4	AX-RAI02000070-DE
	B0P7	AX-RAI01700140-DE
	B1P5	AX-RAI01200200-DE
	B2P2	AX-RAI00630240-DE
	B4P0	-
3-Phase 200 VAC	20P1 / 20P2 / 20P4 / 20P7	AX-RAI02800080-DE
	21P5 / 22P2 / 24P0	AX-RAI00880200-DE
	25P5 / 27P5	AX-RAI00350335-DE
	2011 / 2015	AX-RAI00180670-DE
3-Phase 400 VAC	40P2 / 40P4 / 40P7 / 41P5	AX-RAI07700050-DE
	42P2 / 43P0 / 44P0	AX-RAI03500100-DE
	45P5 / 47P5	AX-RAI01300170-DE
	4011 / 4015	AX-RAI00740335-DE

① DC reactors

200V 1-phase		200V 3-phase		400V 3-phase	
Model VZA□	DC Reactor	Model VZA□	DC Reactor	Model VZA□	DC Reactor
B0P1	AX-RC10700032-DE	20P1	AX-RC21400016-DE	40P2 / 40P4	AX-RC43000020-DE
B0P2		20P2		40P7	AX-RC27000030-DE
B0P4	AX-RC06750061-DE	20P4	AX-RC10700032-DE	41P5	AX-RC14000047-DE
B0P7	AX-RC03510093-DE	20P7	AX-RC06750061-DE	42P2	AX-RC10100069-DE
B1P5	AX-RC02510138-DE	21P5	AX-RC03510093-DE	43P0 / 44P0	AX-RC06400116-DE
B2P2	AX-RC01600223-DE	22P2	AX-RC02510138-DE	45P5	AX-RC04410167-DE
B4P0	-	24P0	AX-RC01600223-DE	47P5	AX-RC03350219-DE
-	-	25P5	AX-RC01110309-DE	4011	AX-RC02330307-DE
		27P5	AX-RC00840437-DE	4015	AX-RC01750430-DE
		2011	AX-RC00590614-DE	-	-
		2015	AX-RC00440859-DE		

① Chokes

Model	Diameter	Description
AX-FER2102-RE	21	For 2.2 KW motors or below
AX-FER2515-RE	25	For 15 KW motors or below
AX-FER5045-RE	50	For 45 KW motors or below

① Output AC reactor

Drive		AC Reactor
Voltage	Model VZA□	Reference
200 VAC	B0P1 / B0P2 / B0P4 20P1 / 20P2 / 20P4	AX-RAO11500026-DE
	B0P7 / 20P7	AX-RAO07600042-DE
	B1P5 / 21P5	AX-RAO04100075-DE
	B2P2 / 22P2	AX-RAO03000105-DE
	B4P0 / 24P0	AX-RAO01830160-DE
	25P5	AX-RAO01150220-DE
	27P5	AX-RAO00950320-DE
	2011	AX-RAO00630430-DE
400 VAC	2015	AX-RAO00490640-DE
	40P2 / 40P4 / 40P7 / 41P5	AX-RAO16300038-DE
	42P2	AX-RAO11800053-DE
	43P0 / 44P0	AX-RAO07300080-DE
	45P5	AX-RAO04600110-DE
	47P5	AX-RAO03600160-DE
	4011	AX-RAO02500220-DE
4015	AX-RAO02000320-DE	

② Communication cards

Type	Model	Description	Function
Communication option board	SI-N3/V	DeviceNet option card	• Used for running or stopping the drive, setting or referencing parameters, and monitoring output frequency, output current, or similar items through DeviceNet communication with the host controller.
	SI-P3/V	PROFIBUS-DP option card	• Used for running or stopping the drive, setting or referencing parameters, and monitoring output frequency, output current, or similar items through PROFIBUS-DP communication with the host controller.
	SI-S3/V	CANopen option card	• Used for running or stopping the drive, setting or referencing parameters, and monitoring output frequency, output current, or similar items through CANopen communication with the host controller.
	SI-T3/V	MECHATROLINK-II option card	• Used for running or stopping the drive, setting or referencing parameters, and monitoring output frequency, output current, or similar items through MECHATROLINK-II communication with the host controller.
	SI-ES3/V	EtherCAT option card	• Used for running or stopping the drive, setting or referencing parameters, and monitoring output frequency, output current, or similar items through EtherCAT communication with the host controller.
	SI-EP3/V	PROFINET option card	• Used for running or stopping the drive, setting or referencing parameters, and monitoring output frequency, output current, or similar items through PROFINET communication with the host controller.

③ Accessories

Types	Model	Description	Functions
Digital operator	JVOP-180	LCD remote operator	LCD Display operator with language support
	A1000-CAVOP300-EE	Remote operator cable	3 meters cable for connecting remote operator
Accessories	JVOP-181	USB converter / USB cable	USB converter unit with copy and backup function
	PS-V10S	24 VDC option board	24VDC control board power supply VZA-B/2/4 from 0.1 to 4 KW
	PS-V10M		24VDC control board power supply VZA-2/4 from 5.5 to 15 KW
	A1000-CAVPC232-EE	PC connection cable	RS232 PC tool connection cable

④ Computer software

Types	Model	Description	Installation
Software	CX-Drive	Computer software	Configuration and monitoring software tool
	CX-One	Computer software	Configuration and monitoring software tool

⑤ Braking unit, braking resistor unit

Drive				Braking resistor unit			
Voltage	Max. motor kW	Drive model VZA□		Connectable min. resistance Ω	Drive mounted type (3 %ED, 10 sec max)		Braking torque %
		1-phase	3-phase		Type AX-	Resist Ω	
200 V (single-/three-phase)	0.12	B0P1	20P1	300	REM00K1400-IE	400	135
	0.25	B0P2	20P2				120
	0.55	B0P4	20P4	200	REM00K1200-IE	200	120
	1.1	B0P7	20P7	120			70
	1.5	B1P5	21P5	60	REM00K2070-IE	70	190
	2.2	B2P2	22P2				120
	4.0	B4P0	24P0	32	REM00K4035-IE	35	135
	5.5	–	25P5	16			75
	7.5	–	27P5	9.6			55
	11	–	2011				REM00K6035-IE
15	–	2015	20	REM00K9017-IE	17	55	
400 V (three-phase)	0.37	–	40P2	750	2 x REM00K1400-IE	800	270
	0.55	–	40P4				270
	1.1	–	40P7	510	REM00K1400-IE	400	270
	1.5	–	41P5	240			130
	2.2	–	42P2	200	REM00K2200-IE	200	130
	3.0	–	43P0	100	REM00K2120-IE	120	215
	4.0	–	44P0				160
	5.5	–	45P5	32	REM00K4035-IE	35	140
	7.5	–	47P5				80
	11	–	4011	20	REM00K6035-IE	35	50
15	–	4015	REM00K9020-IE		20	55	

⑥ Mounting accessories

Types	Model	Description	Applicable models VZA□
DIN Rail	EZZ08122A	Necessary to mount the drive on a DIN rail	B0P1/B0P2/B0P4 20P1/20P2/20P4/20P7
	EZZ08122B		B0P7/B1P5 21P5/22P2 40P2/40P4/40P7/41P5/42P2
	EZZ08122C		B2P2 24P0 44P0
	EZZ08122D		B4P0
Heatsink external mounting attachment	100-034-075	Additional items to mount the drive with the heatsink out of the panel	B0P1/B0P2 20P1/20P2
	100-034-076		B0P4 20P4
	100-034-077		20P7
	100-034-078		40P2
	100-034-079		B1P5 21P5/22P2 41P5/42P2/43P0
	100-034-080		B2P2 24P0 44P0
	100-036-357		B4P0
	100-036-418		B0P7 40P2/40P4
	100-036-300		25P5/27P5 45P5/47P5
	100-036-301		2011 4011/4015
	100-036-302		2015

ALL DIMENSIONS SHOWN ARE IN MILLIMETERS.
To convert millimeters into inches, multiply by 0.03937. To convert grams into ounces, multiply by 0.03527.